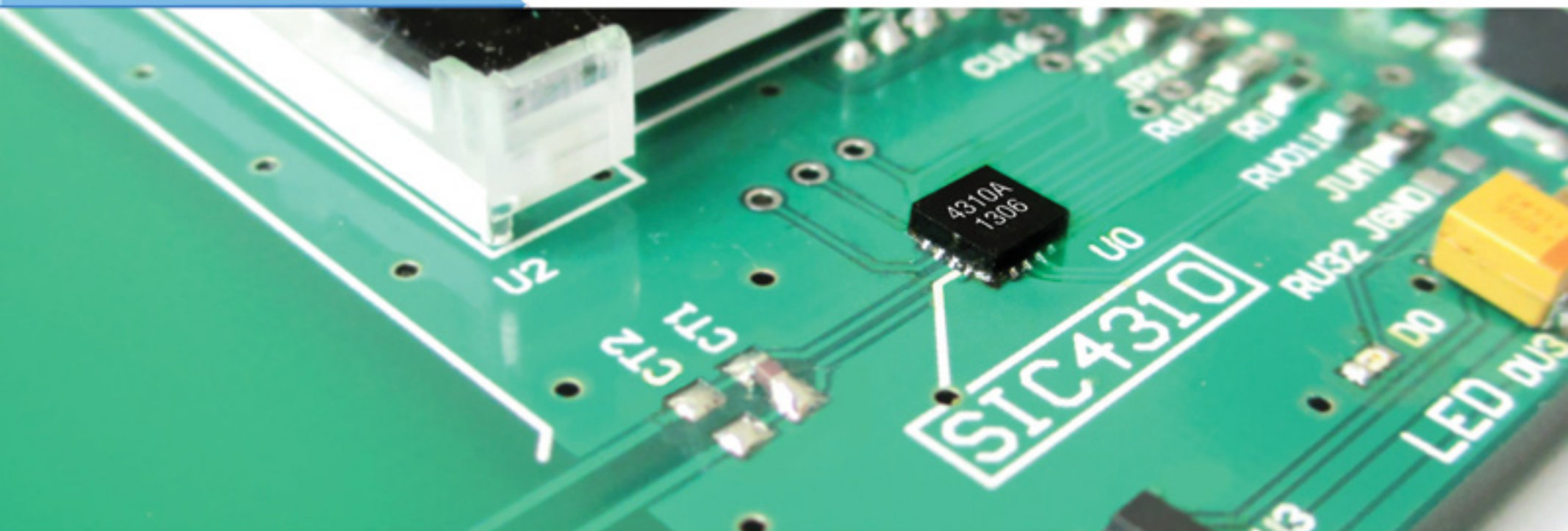


SIC4310

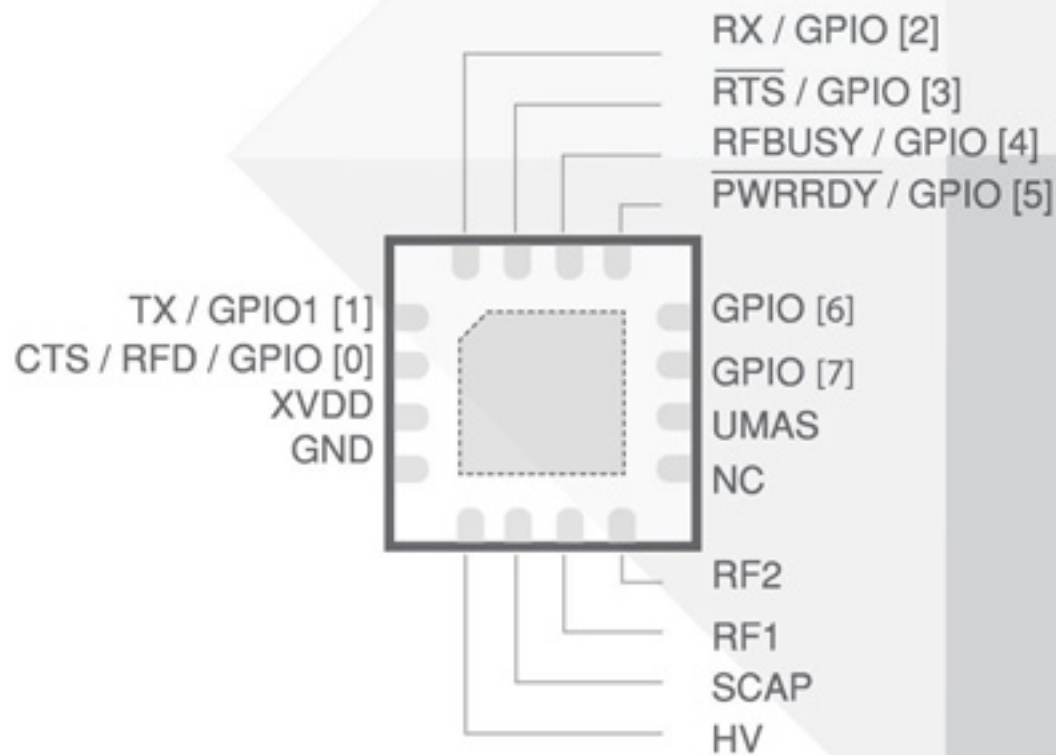
NFC Transponder IC
with UART Interface,

‘NFC Enabler’



SIC4310 is a dual-interface ISO 14443A RFID tag, interfacing with both RF and UART. To serve the trend of internet of things, the SIC4310 provides the quickest way to link up smart devices with internet via NFC smartphone. On the application side, the SIC4310 offers the least expensive method to configure smart devices wirelessly, such as through firmware upgrading.

Highlight Features:



- Write / read through NFC smartphone / RFID NFC / RFID reader device
- Transparent mode, direct data transfer from RFID to UART, or vice versa
- Operating from either RFID power or external DC
- 3.3-V on-chip regulator for power harvesting mode, providing up to 10 mA to external circuit (depending on harvested power from RF field) compatible with NFC Tag Type 2

Interface and Peripheral:

- RF interface based on ISO14443A - 106 kbps
- UART interface 9600 to 115200 bps
- 8 programmable GPIOs
- Activity indicator pins (RFdetect, RFBusy, Power Ready)

Memory:

- 228-byte EEPROM accessible from RF and UART
- EEPROM erase / write cycle of up to 100,000 times and memory retention minimum 10 years

Package:

- QFN3x3 - 16-pin package with heat sink pad

Applications

Embedded Systems

- NFC bridge for home appliances
- Firmware upgrade via NFC
- Metering / vending machines
- Smart battery-less E-paper labels
- Smart interactive posters
- Smart toys



Medical and Fitness Devices



- NFC bridge for medical devices
- Self-testing NFC-powered sensor patches (e.g. glucose)
- Post-surgery monitoring
- Synchronization of fitness statistics

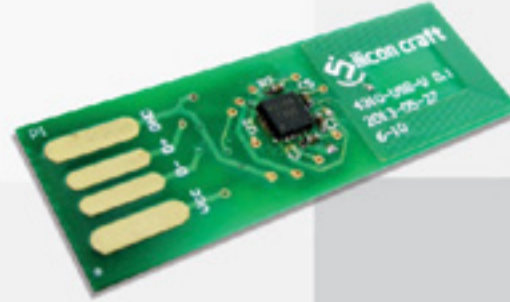
Development Kits

SIC4310-MC



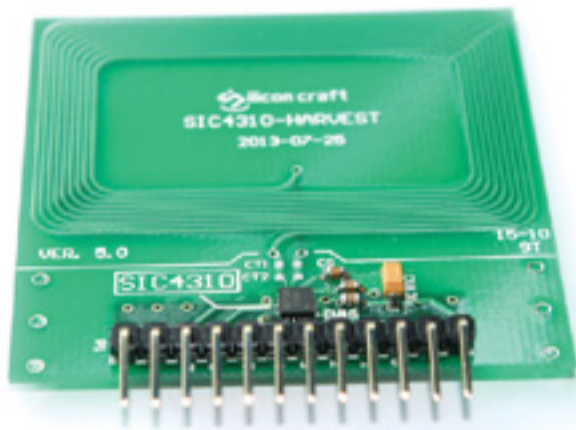
- A 12.5 x 19.7 mm tiny module with a UART interface and 4 GPIOs.

SIC4310-USB



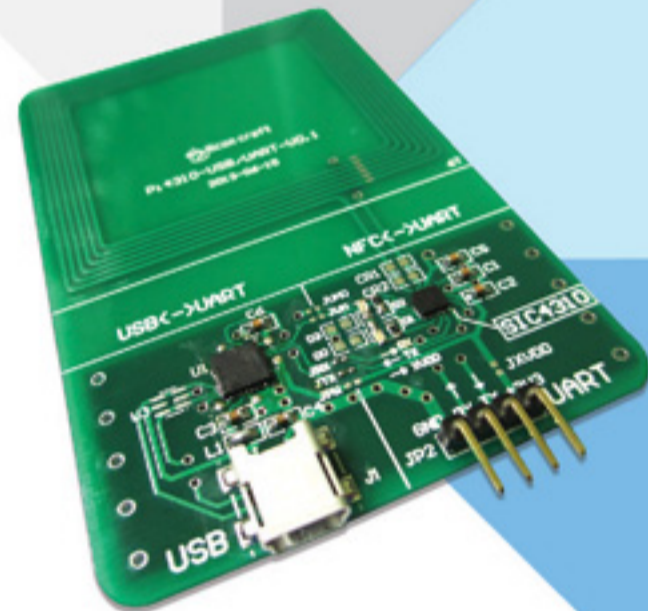
- A 12.5 x 37.3 mm tiny module with a USB interface.

SIC4310-HV



- A harvesting module with a UART interface and 3 GPIOs. The on-board inductive antenna can generate a current up to 10 mA.

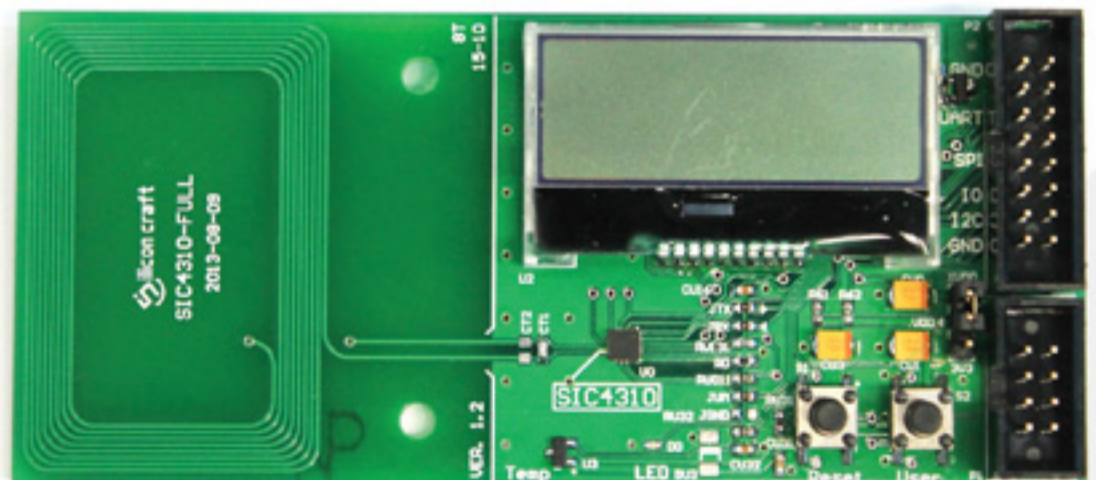
SIC4310-HVU



- A harvesting module featuring UART or USB interface and two LEDs that can be controlled via GPIO pins. The on-board inductive antenna can generate a current up to 10 mA.

SIC4310-FU

- A 47.6 x 107.9 mm ready-to-use kit featuring ARM Cortex M0 MCU, SIC4310, LCD, inductive antenna, two function buttons, temperature sensor, connectors (I2C, SPI, USART, programming and debugging).



The Android SIC4310 demo application can be downloaded from play.google.com/store/apps/details?id=com.sic.demo

